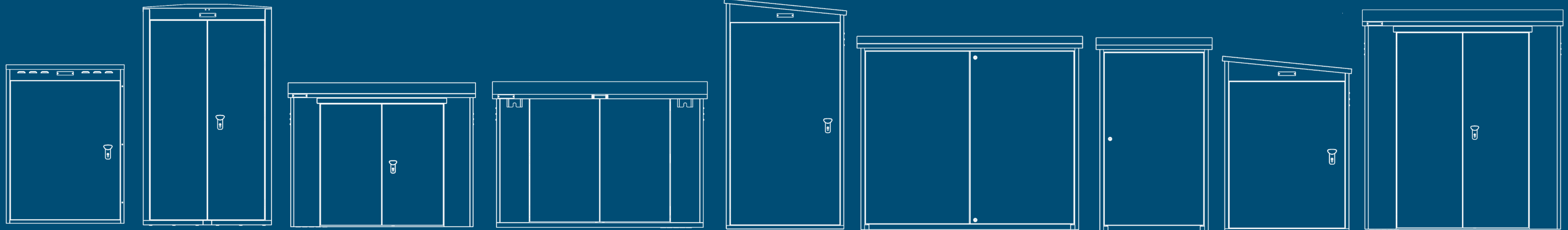




# Safestor

steel storage solutions





**Bicycle sheds, garden  
& home storage,  
toolsheds, mobility  
stors & more**



## About SafeStor

SafeStor is a sub-division of Kintech Limited, a UK-based metal fabrication engineering company that has been operating in the caravan, leisure & retail industries for over 40 years.

Kintech Limited are **ISO9001 accredited**, ensuring high quality manufacture and can draw on a wealth of fabrication experience that results in long-lasting products. The SafeStor product portfolio cover a wide range of uses from secure bike and motorcycle storage to propane gas bottle covers, our units are heavy-duty, versatile and fit for purpose.

All SafeStor units hold a '**Made in the UK**' stamp of approval, designed and manufactured in East Yorkshire from heavy-duty galvanised steel panels, featuring integrated metal floors, ventilation systems, secure locking systems, and a quality finish is guaranteed with powder coating in a choice of 5 great colours.

We are continuously investing in our production facilities and machinery in order to increase output and improve quality. In addition, we invest in new product development to ensure we bring something fresh to the market.



**ULTRA  
SECURE**

## SafeStor Key Features

**Galvanised Steel:** heavy-duty galvanised steel manufacture, all of our units are durable and weatherproof.

**Multi-Point Locking System:** with anti-pick and drill properties on the majority of units.

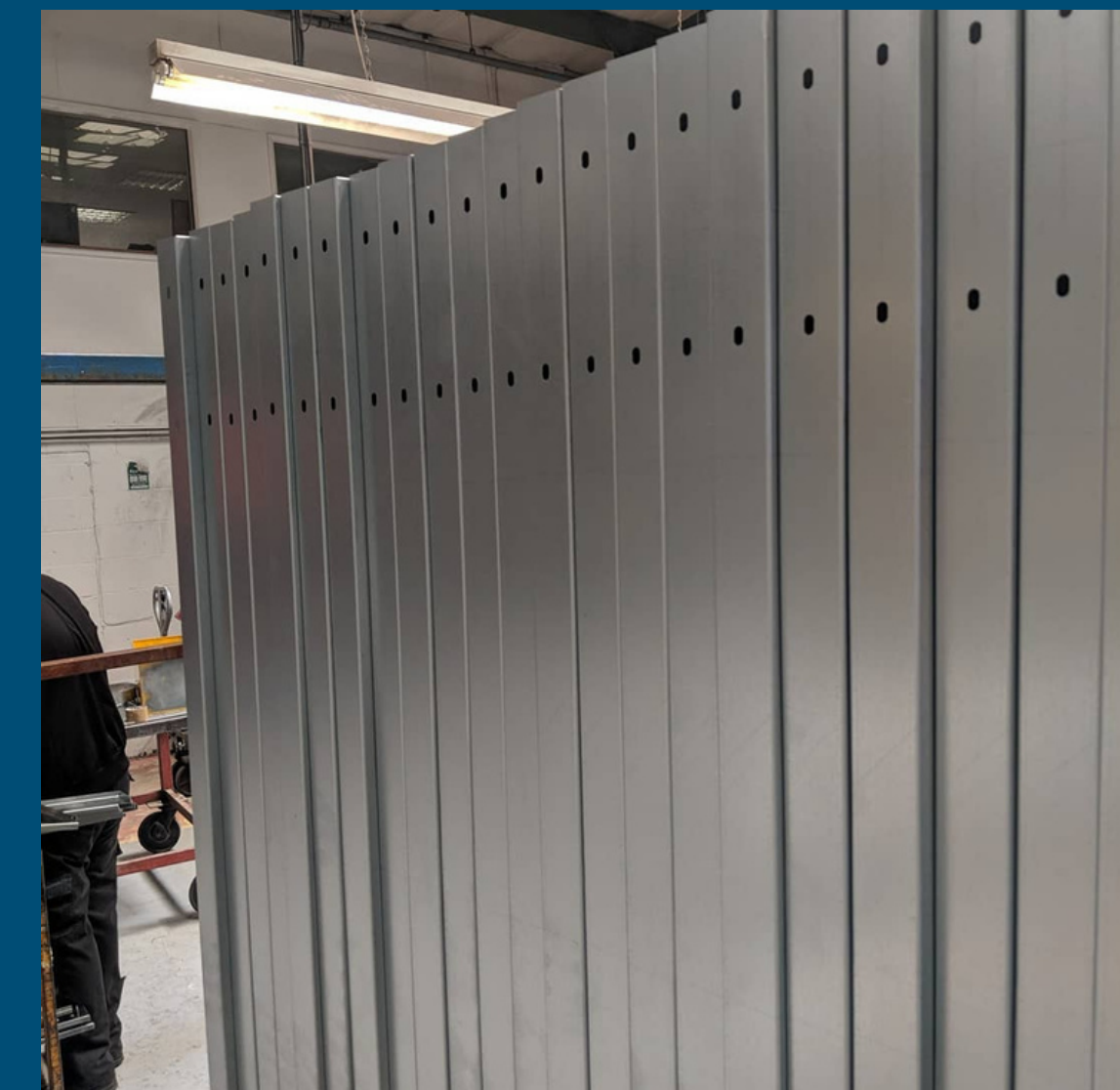
**Integrated Metal Floor:** adding a whole new level of security and stability to the majority of units.

**Internal fixtures:** zero external screws and smooth edges all round. Child-friendly and thief-unfriendly!

**Ventilation System:** helps maintain air flow inside the unit to minimise condensation and damp.

**Additional Accessories:** shelves, eyelets, hooks and ramps; storage units are pre-drilled for your convenience.

**10 Year Warranty:** Manufactured in the UK





**Heavy-duty galvanised steel manufacture. SafeStor units are completely weatherproof & won't rust or leak. Designed with internal fixtures to eliminate break-in points, and fitted with an anti-pick locking system to deter thieves. The units feature a ventilation system to minimise condensation & damp.\***

\*must adhere to the maintenance guide within our warranty document to minimise condensation



# RICHMOND

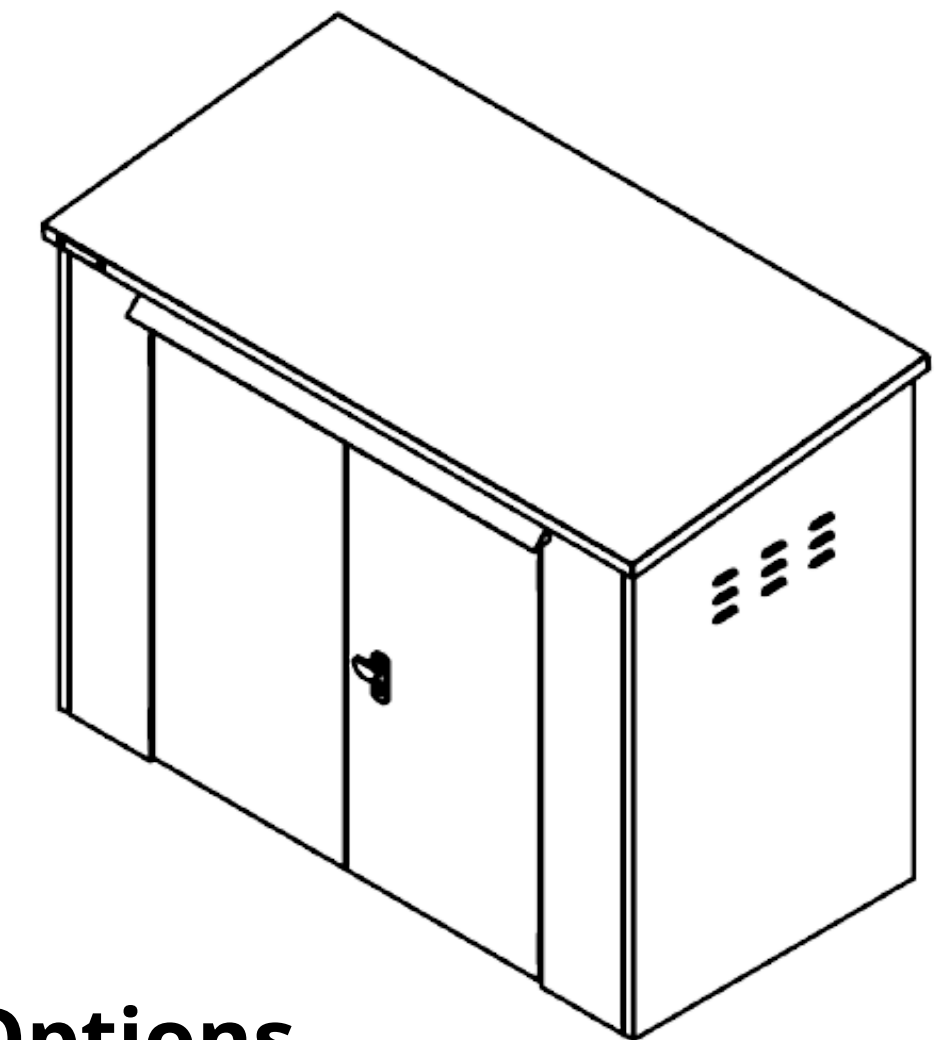
## 6ft x 3ft storage unit



### Product Info

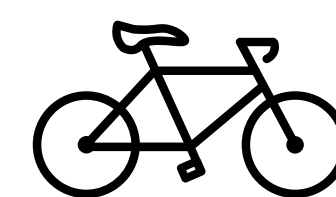
Our best-selling unit situated in gardens and at holiday homes up & down the UK. Keep your possessions safe from damage & theft with this heavy-duty outdoor galvanised steel storage solution. The Richmond is ideal for additional garden storage or sited at your holiday home. Perfect for secure bike storage with large capacity for up to 2 bicycles.

Offers an all-round convenient storage solution that keeps everything in one secure location. Your items can be easily accessed with two wide front-facing doors, upgrade your unit with shelves and hooks from our accessory range.

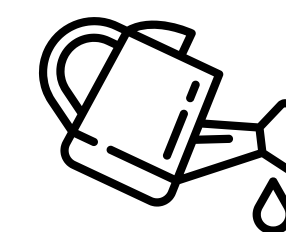


### Dimensions (approx) & Colour Options

Unit Height	1407mm   4ft 7"
Unit Width	1828mm   5ft 11"
Unit Depth	943mm   3ft 1"
Door Aperture W	1155mm   3ft 9"
Door Aperture H	1142mm   3ft 8"
Unit Weight	78kg



**Bicycle Storage**



**Garden Storage**

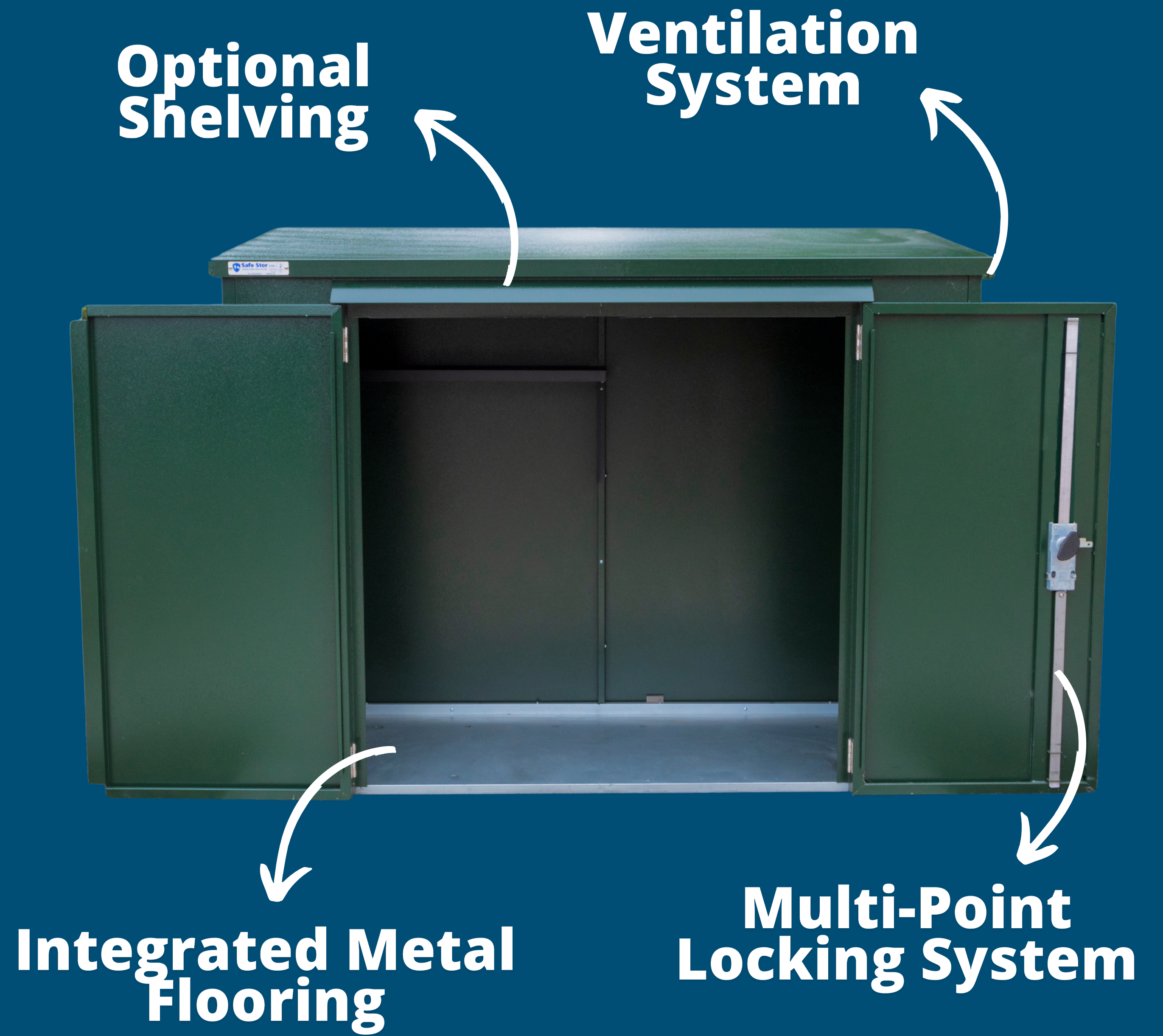


**Caravan Storage**



**ULTRA  
SECURE**







# Caravan & Leisure



# Home & Garden



# Gardening tools



# Bike Storage



# Home & Garden

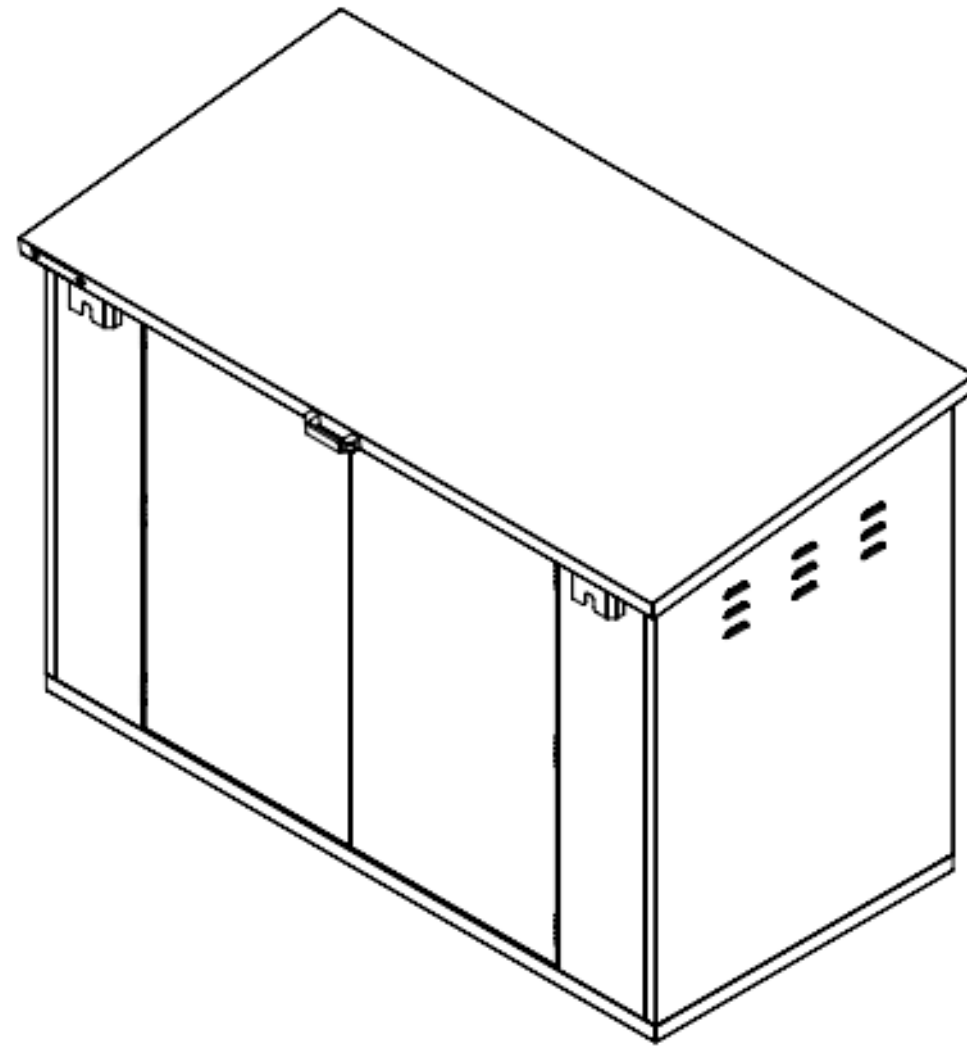




## Product Info

An outdoor storage solution designed to offer easy access to your bikes, garden items & whatever you wish to store. With 2 wide front-facing doors & a secure lift-up lid fitted with gas rams, your items can be accessed & stored away with ease.

The Ripon is perfect for those without a garage, garden or with limited home storage. Ideal for bike storage offering large capacity for 2 bicycles. Fully galvanised steel manufacture ensuring your items are protected from damage & theft. Capacity can be increased with hooks and eyelets available as part of our accessories range.



## Dimensions (approx) & Colour Options

Unit Height	1256mm   4ft 1"
Unit Width	1850mm   6ft 0"
Depth (doors closed)	986mm   3ft 2"
Depth (doors open)	1544mm   5ft 0"
Door Aperture W	1168mm   3ft 9"
Door Aperture H	1140mm   3ft 8"
Unit Weight	107kg

-  **Dark Grey**
-  **Ivory**
-  **Brown**
-  **Fir Green**
-  **Lakeland Light Green**

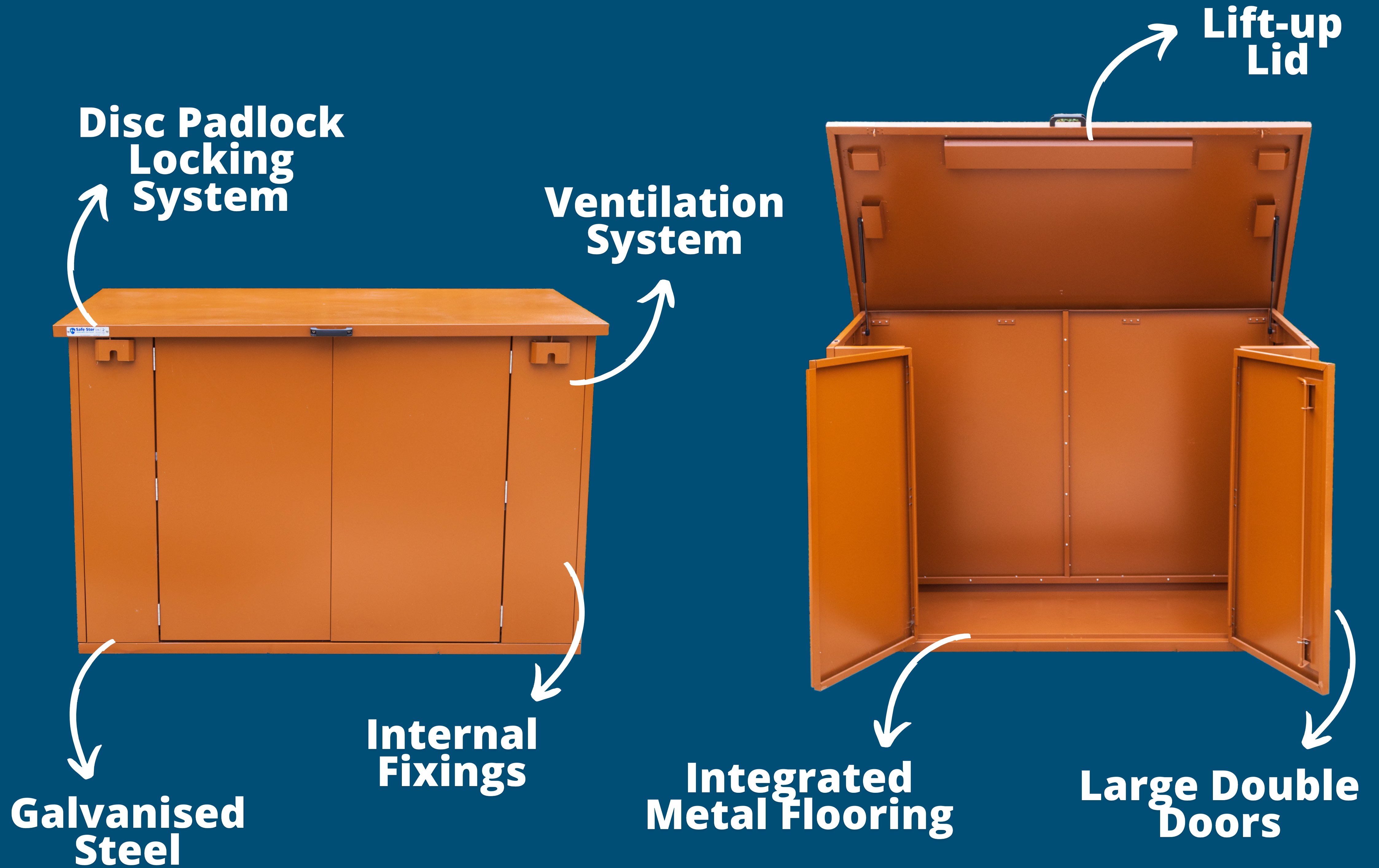


# RIPON

## 6ft x 3ft storage unit









## Caravan & Leisure



## Gardening Tools



## Bike Storage



## Home & Garden





# HARROGATE

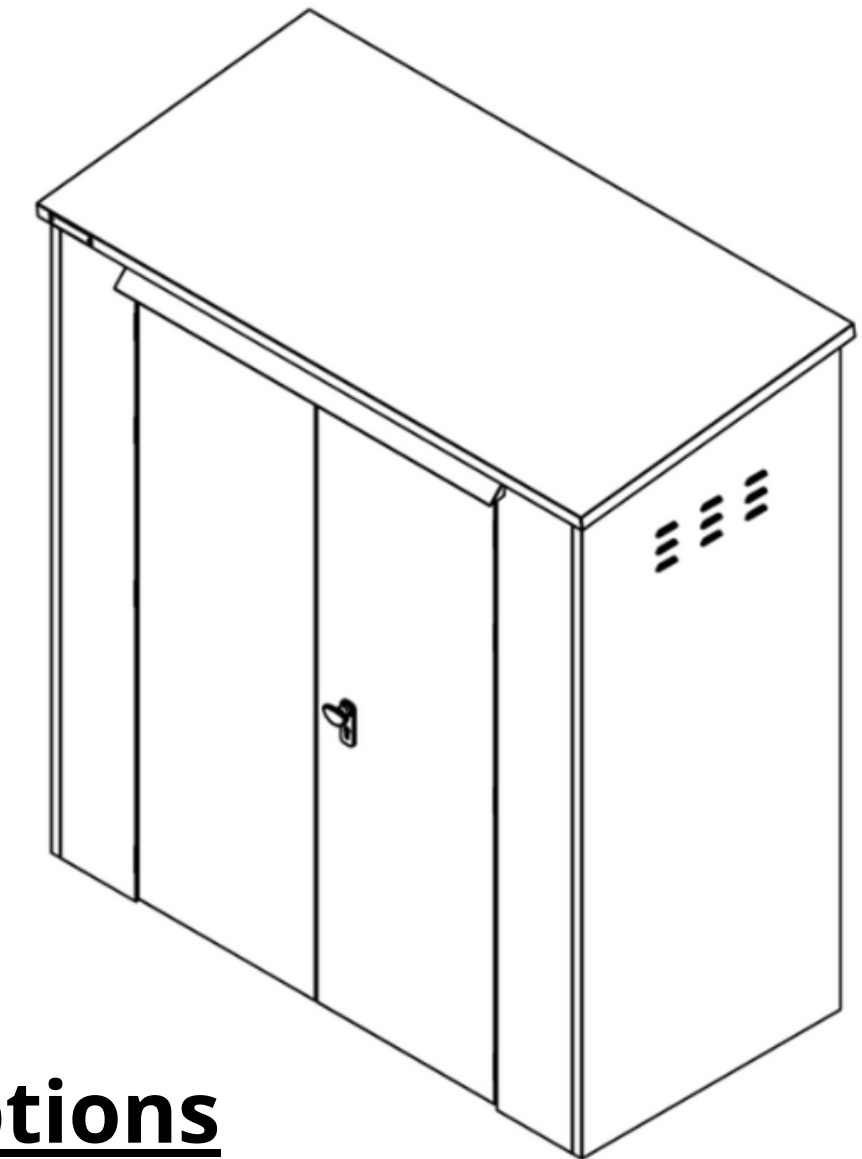
## 6ft x 3ft storage unit



### Product Info

The Harrogate is a highly secure & versatile alternative to a typical wooden shed. Ideal for storing gardening tools, DIY tools, sporting gear, bikes & tidying away general garden items, such as BBQs & folding furniture. Awkward-store-items such as ladders & lawn mowers can be easily stored as the Harrogate stands over 6ft high.

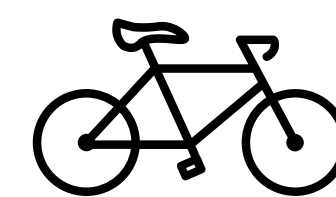
Maximise natural light with the option of adding either 2 or 4 windows to the side & rear, ideal for transforming this unit into a practical workshop. Galvanised steel manufacture and multi-point locking system offers high security and peace of mind.



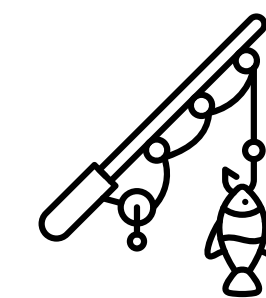
### Dimensions (approx) & Colour Options

Unit Height	1995mm   6ft 6"
Unit Width	1822mm   5ft 11"
Unit Depth	938mm   3ft 1"
Door Aperture W	1155mm   3ft 9"
Door Aperture H	1692mm   5ft 6"
Unit Weight	145kg

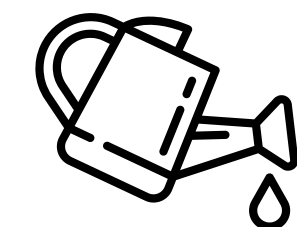
	<b>Dark Grey</b>
	<b>Ivory</b>
	<b>Brown</b>
	<b>Fir Green</b>
	<b>Lakeland Light Green</b>



**Bicycle Storage**



**Fishing Tackle**



**Garden Storage**



**ULTRA**  
SECURE



**Ventilation System**

**Optional Shelving**

**Option of 2 or 4 windows**



**Galvanised Steel**

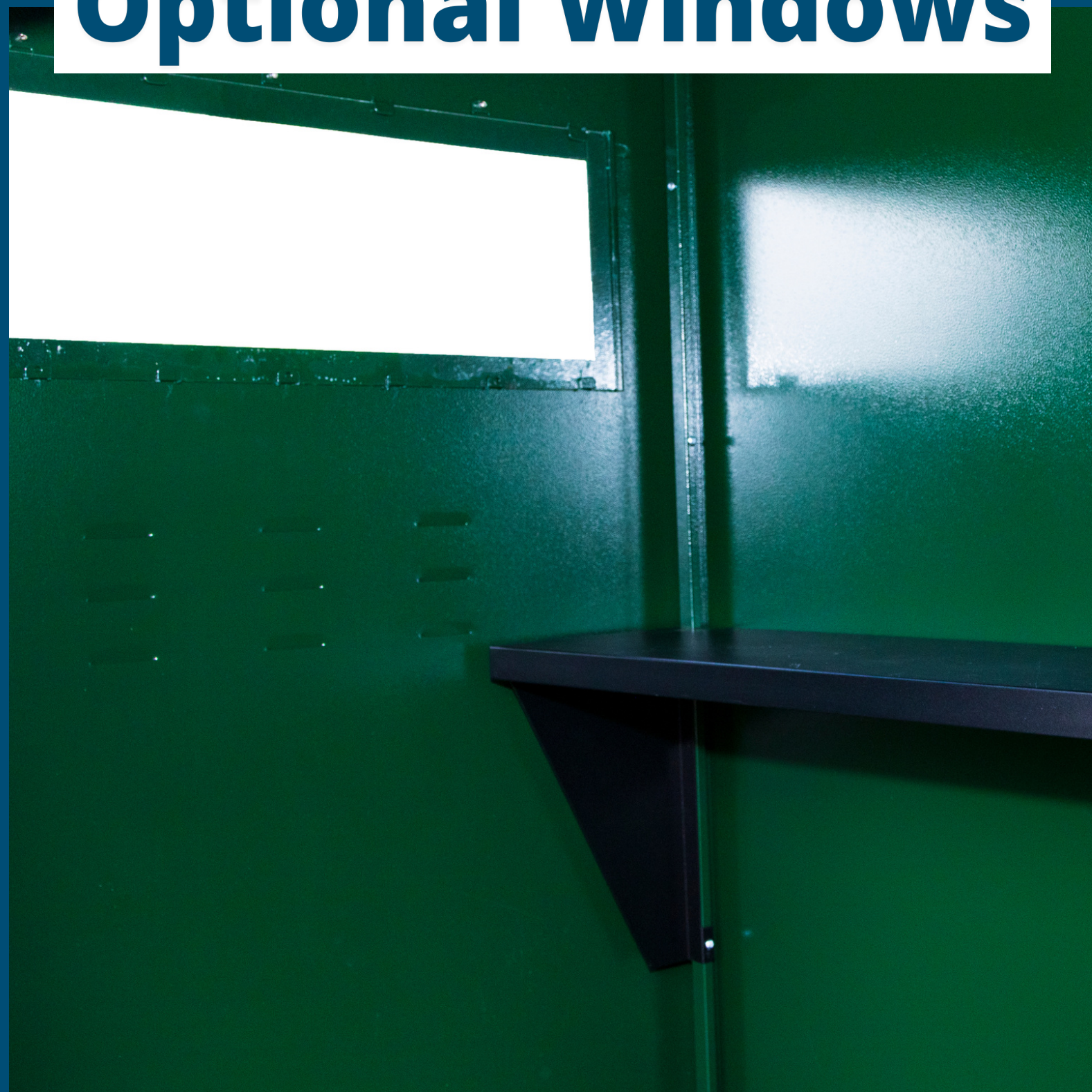
**Internal Fixings**

**Integrated Metal Flooring**

**Multi-Point Locking System**



## Optional Windows



## Gardening Tools



## Bike Storage



## Home & Garden

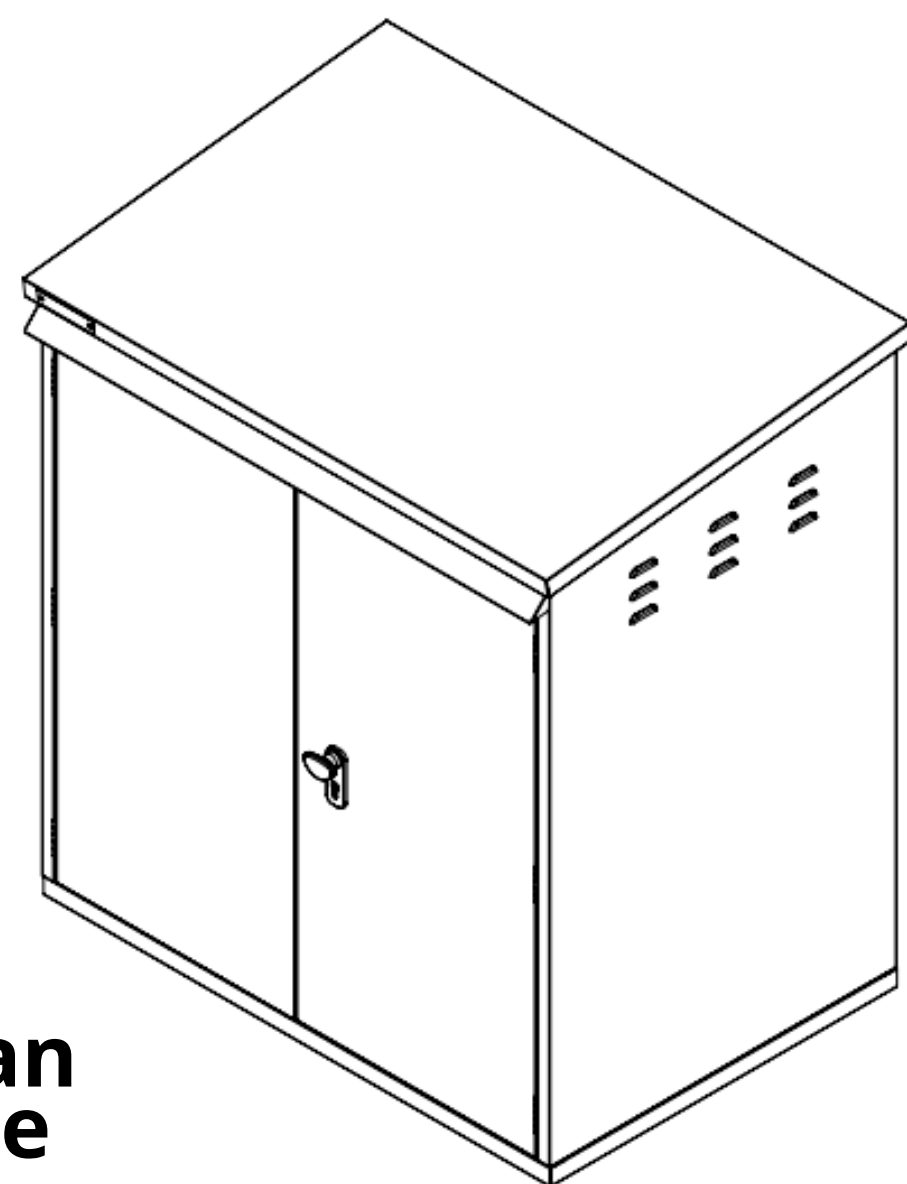




## Product Info

The Allerton is ideal for individuals looking for a bit of extra storage space in their gardens and homes. This unit is small and compact, takes up little space while offering the same excellent security as the rest of our product range. Features a built-in ventilation system, multi-point locking system and an integrated metal floor.

Ideal for those smaller valuable items that you're wanting to protect from damage or theft. These are also popular on caravan parks for siting outside caravans for external storage and seasonal site equipment.



**Garden Storage**



**Caravan Storage**

## Dimensions (approx) & Colour Options

Unit Height	1445mm   4ft 9"
Unit Width	1269mm   4ft 2"
Unit Depth	916mm   3ft 0"
Door Aperture W	1210mm   3ft 11"
Door Aperture H	1200mm   3ft 11"
Unit Weight	91.5kg



# ALLERTON

## 6ft x 3ft 5" storage unit





**Ventilation System**



**Internal Fixings**



**Optional Shelving**



**Galvanised Steel**



**Integrated Metal Flooring**



**Multi-Point Locking System**





# Optional Shelving



# Gardening Tools



# Caravan & Leisure



# Home & Garden





# KINGSTON

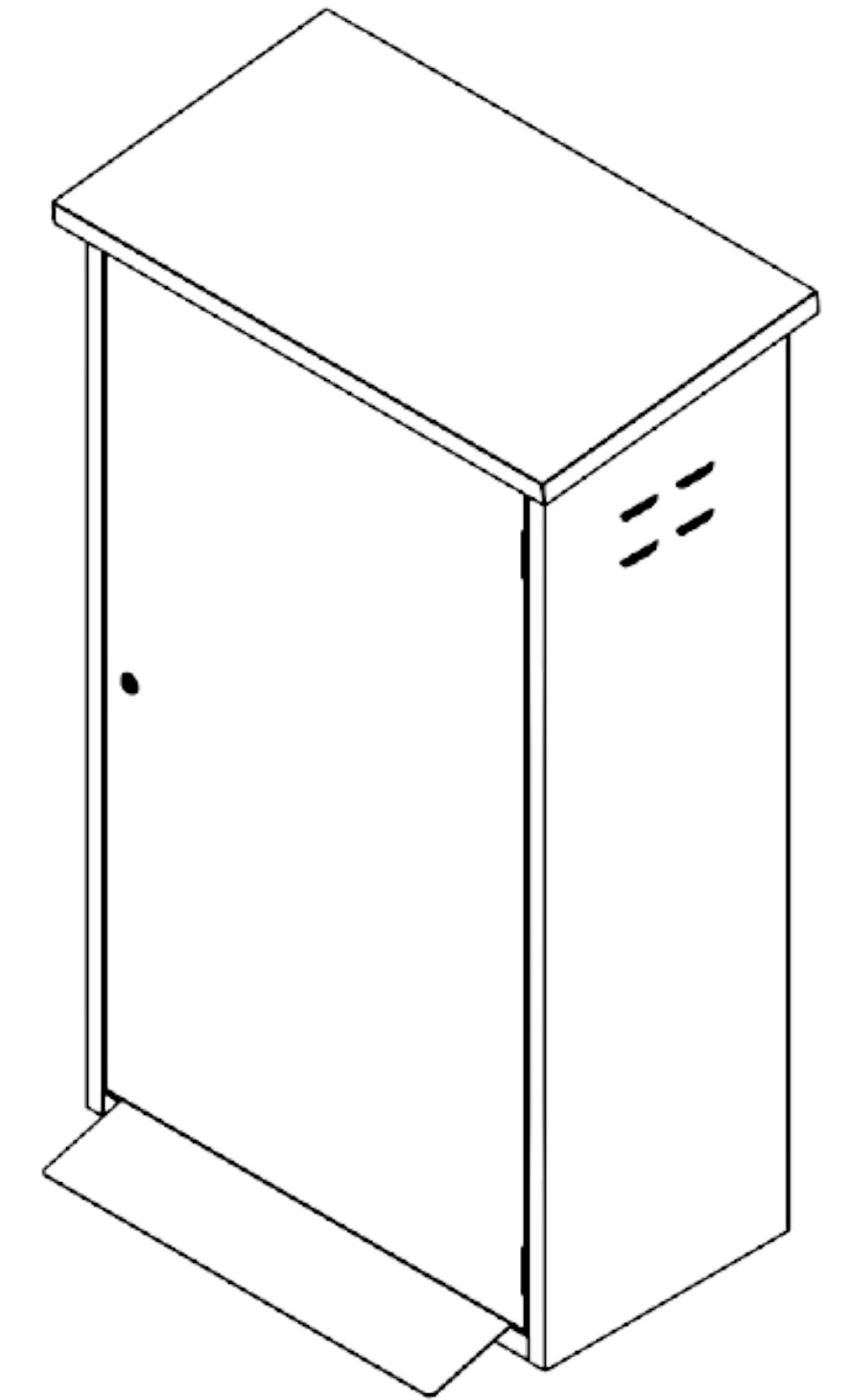
## gas bottle stor



### Product Info

The Kingston gas bottle stor is an excellent solution for storing either two or four 47kg propane gas bottles, specifically for fuelling static caravans & holiday homes. With a wide-opening door & fitted ramp, (un)loading gas bottles is a safe & easy process.

The lifting lid means that the gas regulator can be checked frequently & easily accessed in case of an emergency. A partially open back allows air circulation as well as gas diversion. A tidy & safe alternative to having loose gas bottles situated next to a caravan or holiday home.



### Dimensions (approx) & Colour Options

	<u>2 gas</u>	<u>4 gas</u>
Height	1515mm	1515mm
Width	910mm	1762mm
Depth	454mm	454mm
Weight	40kg	72kg





## Lifting Lid



## Gas Bottle Stor





**Ventilation  
System & Gas  
Diversion**

**Galvanised  
Steel**

**4 x 47kg Gas  
Bottle Storage**

**2 x 47kg Gas  
Bottle Storage**

**Integrated  
Metal Flooring**

**Utility  
Style Lock**

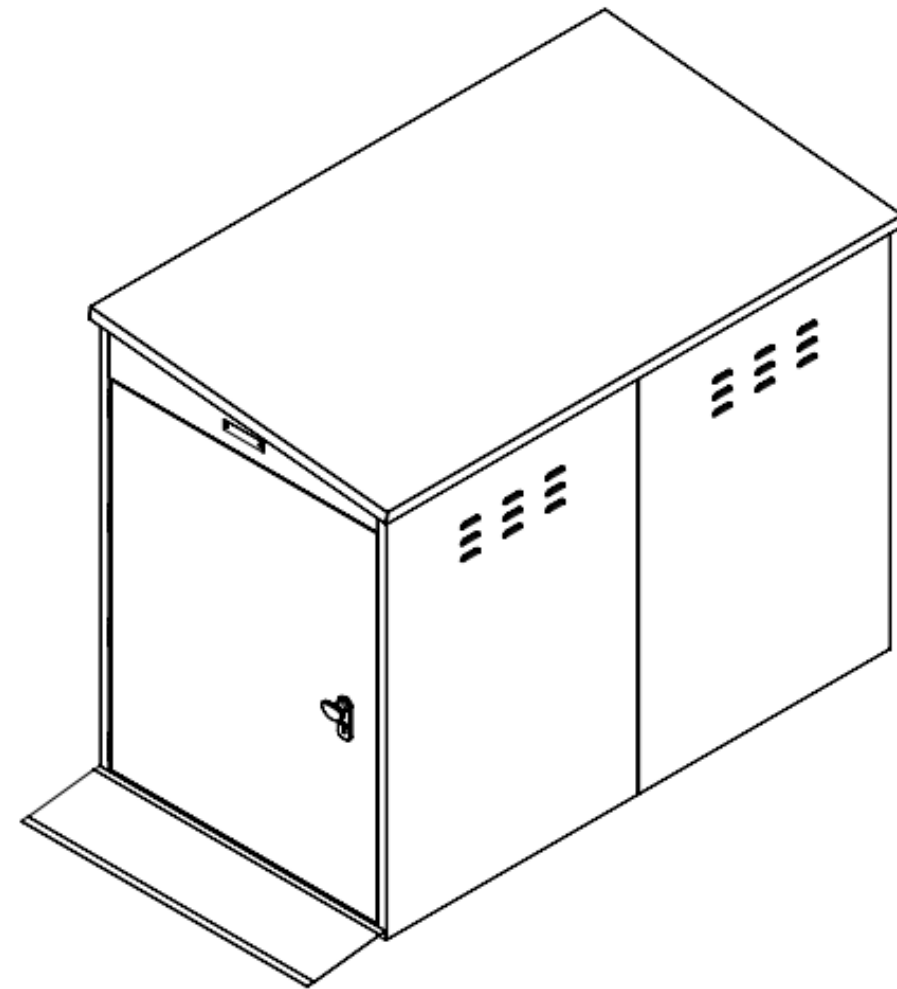




## Product Info

The Skipton storage unit offers a practical solution for home & garden storage, as well as being perfectly suited for storing mobility scooters a& e-bikes to free up space inside the home. The Skipton comes complete with an anti-slip aluminium ramp and an extra wide door making it easy to manoeuvre bulky items in & out.

There is also an option to include a charging socket within the unit so that electronic items can be charged whilst in storage. An all-round convenient storage unit that keeps everything in one secure location.



## Dimensions (approx) & Colour Options

Roof Height	1436mm   4ft 8"
Unit Width	1055mm   3ft 5"
Unit Depth	1821mm   5ft 11"
Door Aperture W	887mm   2ft 11"
Door Aperture H	1135mm   3ft 9"
Unit Weight	148kg



# SKIPTON

## 6ft x 3ft 5" storage unit





# SKIPTON

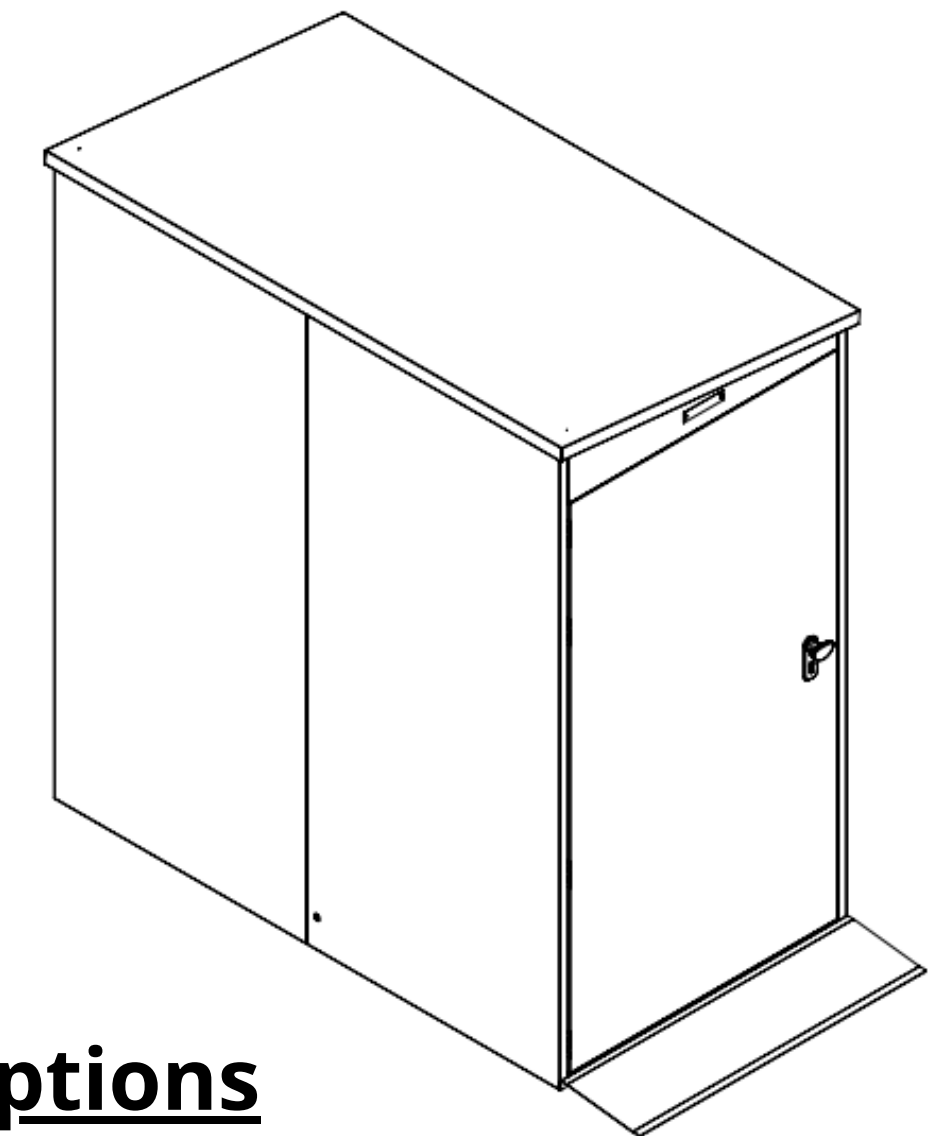
## hi-line storage unit



### Product Info

The Skipton Hi-Line storage unit is the same great shape and offers the same functionality as the Skipton. Ideal for use as a garden shed, moped or e-bike storage, and even fishing tackle storage and other tall items due to its height. All items are stored securely thanks to the multi-point locking system and galvanised steel manufacture.

The Skipton comes complete with an integrated metal floor and a wooden subfloor to ensure the units sturdiness and durability. Items can be easily accessed with a wide front facing door and built-in aluminium ramp.



### Dimensions (approx) & Colour Options

Roof Height	1979mm   6ft 6"
Unit Width	1055mm   3ft 5"
Unit Depth	1821mm   6ft"
Door Aperture W	940mm   3ft 1"
Door Aperture H	1743mm   5ft 8"
Unit Weight	176kg





## Mobility Storage



## Bike Storage



## Home & Garden





**Ventilation System**

**Galvanised Steel**



**Easy Access Ramp**



**Multi-Point Locking System**

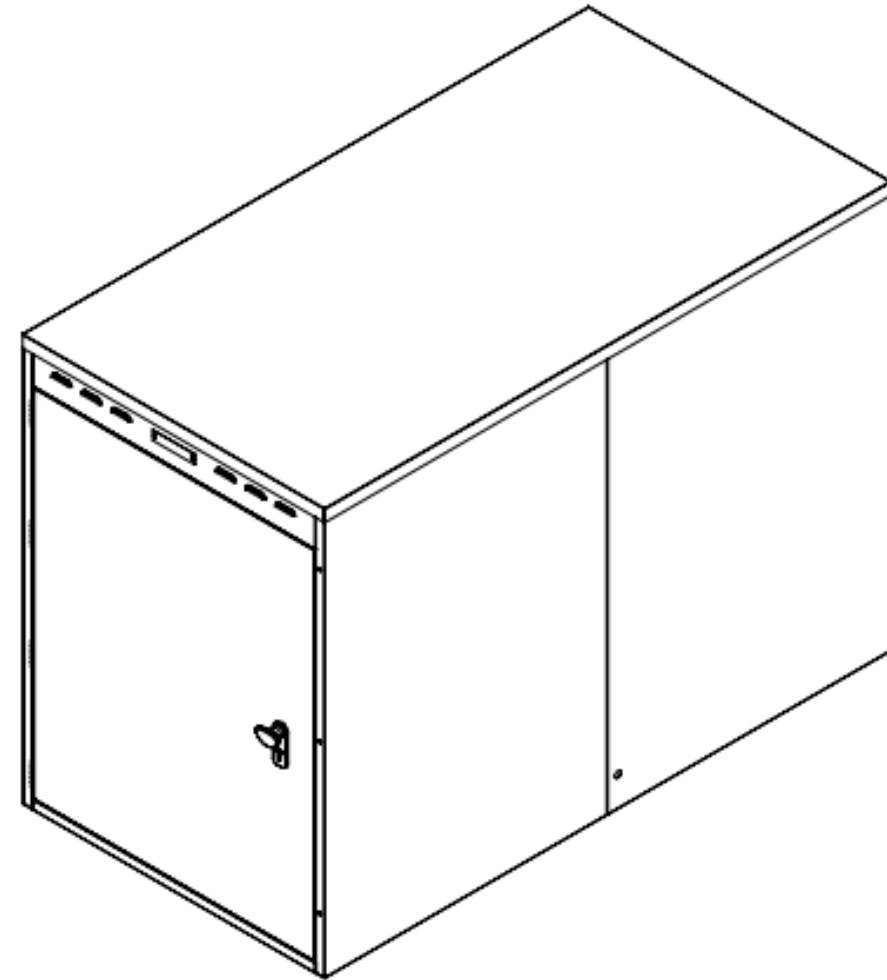
**Integrated Metal Floor & Wooden Subfloor**



## Product Info

Our double entry bike stor can be accessed from both ends & includes an internal galvanised steel divider panel, to ensure that 2 bikes can be stored securely, but separately, inside the unit. Both doors lock independently from each other & feature an anti-pick & drill locking system.

This storage unit is ideal for sharing bike storage without compromising on security. Designed to save space, this unit is ideally suited for areas where space is limited - ideal for use down the side of flat-shares and rental properties.



## Dimensions (approx) & Colour Options

Unit Height	1366mm   4ft 6"
Unit Width	1012mm   3ft 4"
Unit Depth	1911mm   6ft 3"
Door Aperture W	943mm   6ft 6"
Door Aperture H	1195mm   3ft 1"
Unit Weight	118kg

	<b>Dark Grey</b>
	<b>Ivory</b>
	<b>Brown</b>
	<b>Fir Green</b>
	<b>Lakeland Light Green</b>

# BEDALE

## double entry bike stor



**ULTRA**  
SECURE



# MALTON

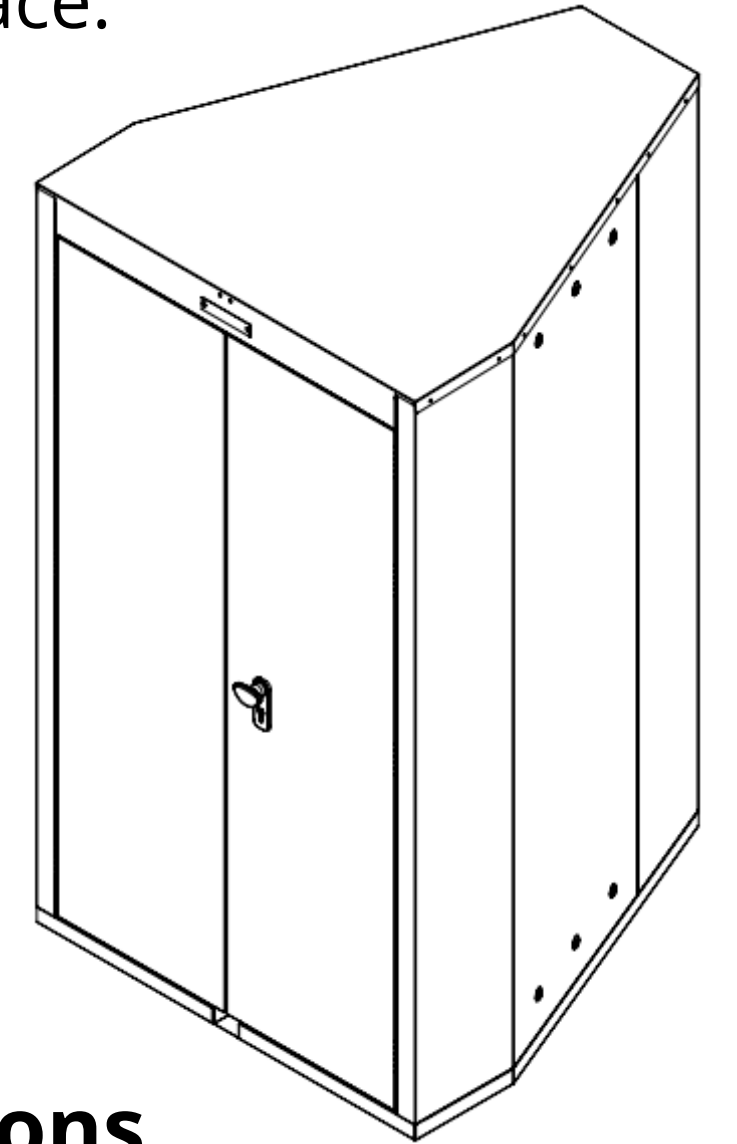
## vertical bike stor



### Product Info

Our vertical bike stor is a great space saving solution for storing valuable bikes. This unit features a wheel retaining hook, so that bikes can be stored vertically by lifting the bike on it's rear wheel and hooking the front wheel into place.

There's plenty of space to store biking gear by installing our hooks & eyelets from our accessories range. To keep your bike & accessories safe, this unit features an anti-pick and drill multi-point locking system, and an integrated metal floor so that it can be bolted to a concrete base.



### Dimensions (approx) & Colour Options

Unit Height	1899mm   6ft 3"
Unit Width	1105mm   3ft 8"
Unit Depth	1208mm   4ft 0"
Door Aperture W	960mm   3ft 2"
Door Aperture H	1717mm   5ft 5"
Unit Weight	180kg



**ULTRA**  
SECURE

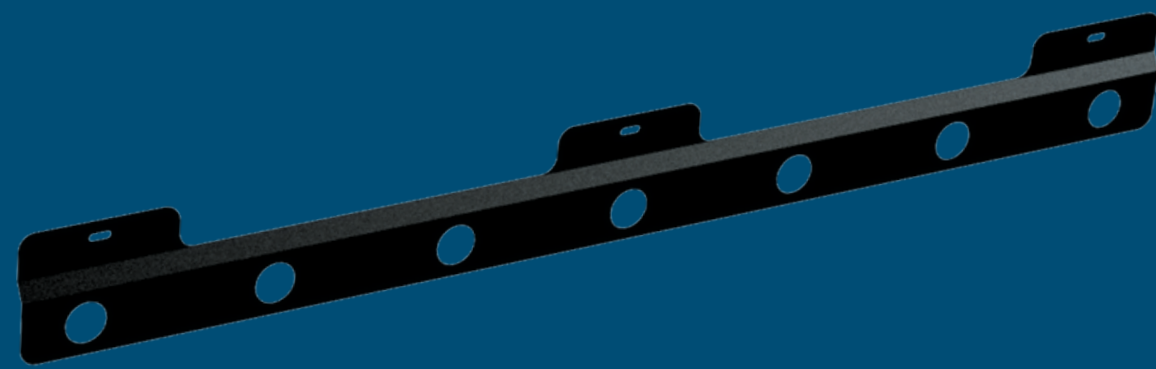


# ACCESSORIES

We have a great range of accessories for our SafeStor storage units, all of which are manufactured with the same galvanised steel as our sturdy units and are all available in a black finish. Replacement parts such as locks/handles and steel panels are also available as well as touch up-paint to match the colour of the units to keep them looking brand new. All storage units come pre-drilled so accessories can be fitted easily.

## SafeStor Eyelet Rack

Our eyelet rack has been designed to help you get the most from your SafeStor storage unit. Ideal for ropes or string to either hang items or tie equipment together



## SafeStor Eyelet (10 Pack)

Allows you to attach a pattach & connect your SafeStor unit to electricity without causing damage. Manufactured from galvanised steel available in black.



## SafeStor Hooks (10 Pack)

Handy hooks that can be fitted easily to a SafeStor unit. Increase capacity and improve access to your stored items.



## Pattach Mount

Eyelets are ideal for attaching ropes and ties to help keep items standing upright.



## Replacement Lock Barrel

In the unfortunate event that your unit becomes damaged, you can purchase a replacement interior cylinder lock. Comes with 3 keys.



## Replacement Cylinder Lock

In the unfortunate event that your unit becomes damaged, you can purchase a replacement cylinder lock for the inside of your unit.

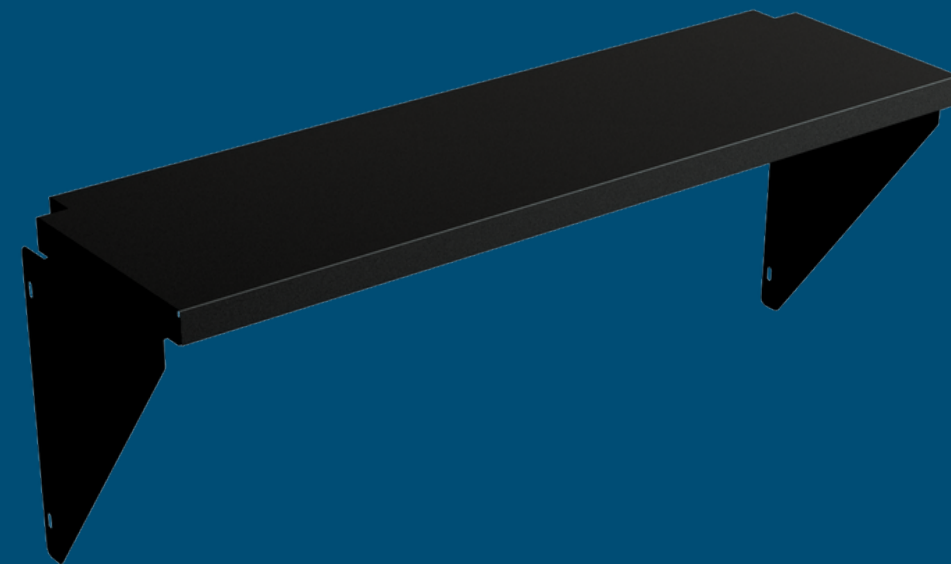




# SHELVING & MORE

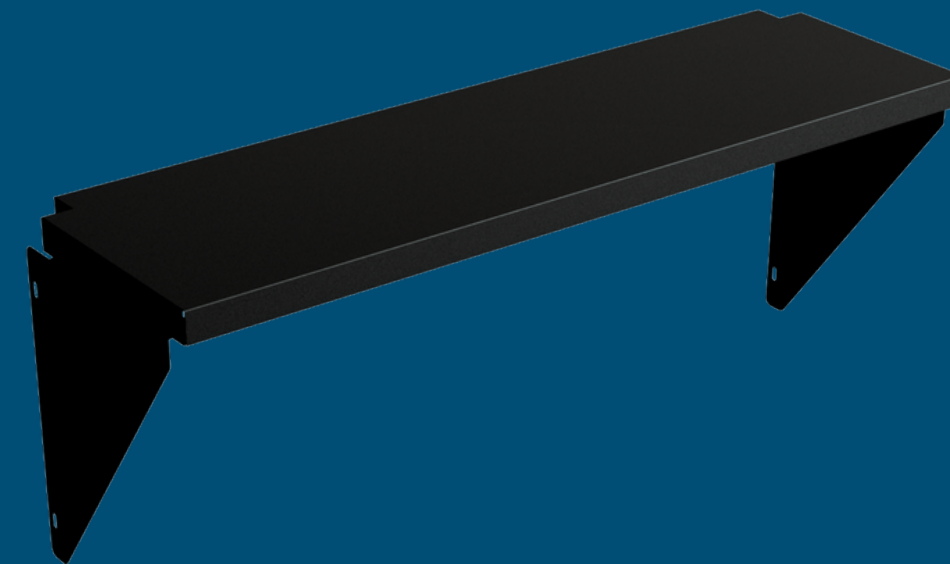
## Harrogate Single Shelf

Ideal for creating extra storage space and increasing the capacity of your Harrogate unit. Dimensions: 883 (L) x 252 (W) x 332 (H) .



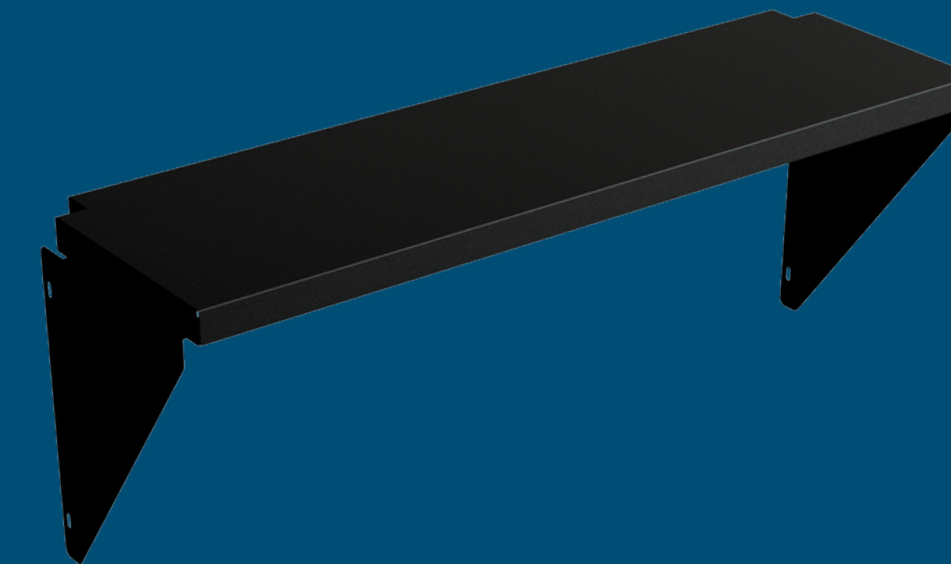
## Richmond Single Shelf

Ideal for creating extra storage space and increasing the capacity of your Harrogate unit. Dimensions: 883 (L) x 252 (W) x 332 (H) .



## Allerton Single Shelf

Ideal for creating extra storage space and increasing the capacity of your Harrogate unit. Dimensions: 598 (L) x 252 (W) x 332 (H) .



## Touch-Up Paint

Touch-up paint 400ml aerosol can available in all the colours we do: Dark Grey, Ivory, Clay Brown, Fir Green, Lakeland Light Green.



■ Dark Grey



■ Ivory



■ Brown



■ Fir Green



■ Light Green





# **SafeStor**

**steel storage solutions**

Copenhagen Road, Sutton Fields Industrial Estate, Hull,  
East Riding of Yorkshire, HU7 0XQ

Call us: 01482 820 3333  
Order online: [www.safe-stor.co.uk](http://www.safe-stor.co.uk)